

# Table construction

**- Build this Table if you can't find one to share**

## Materials

Material	Quantity
Challenge Set (Mission Model LEGO Elements, Mat, Dual Lock™)	1
Sanded Plywood (Or other very smooth board) 96" x 48" x 3/8" (2438mm X 1219mm X 10mm) – Thicker if desired	1
Two-by-Three, 8' (2438mm) [Actual cross-section = 1-1/2" X 2-1/2" (38mm X 64mm)]	6
Flat Black Paint	1 pt. (1/2 L)
Drywall Screws, 2-1/2" (64mm)	1/2 lb. (1/4 kg)
Saw Horses, about 24" (610mm) high and 36" (914mm) wide	2

Tables with "two-by-four" walls are legal and common, but we are phasing them out at tournaments. You can use two-by-fours, but you need to be prepared to play on Tables with walls as short as 2-1/2" (64mm).

## Parts

Part	Make From	Dimensions	Paint	Quantity
Table Surface (A)	Plywood	96" (2438mm) X 48" (1219mm)	No	1
Long Border Wall (B)	Two-by-Three	96" (2438mm)	Yes	3
Short Border Wall (C)	Two-by-Three	45" (1143mm)	Yes	2
Stiffener (D)	Two-by-Three	48" (1219mm)	No	4
Saw Horse	Purchase	H≈24" (610mm) W≈36" (914mm)	No	2

If you are using a Table surface thicker than 1/2" (13mm) check for warpage/distortion - you might not need stiffeners.

You could place your Field on a floor instead of a Table, but it is very important to surround it with correctly built Border Walls.

## Assembly

### STEP 1

→ See which face of the plywood (A) is least smooth, and call that the bottom face. On the bottom face, clamp, then screw on the stiffeners (D) about every 18" (457mm). Be sure screw heads and splinters don't protrude.

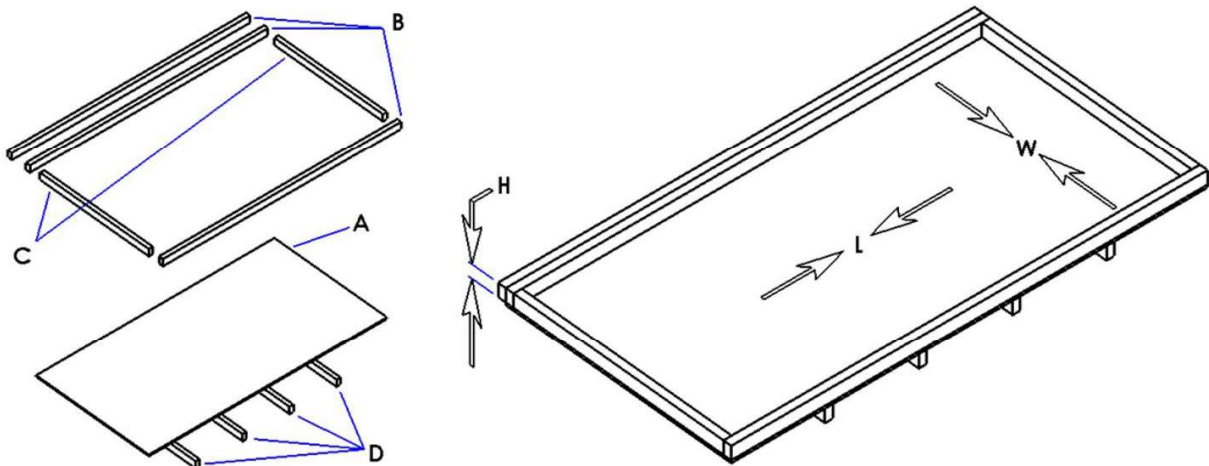
### STEP 2

→ On the top face of the plywood, locate, clamp, and screw on the Border Walls (B,C) around the top perimeter.

- The inside wall-to-wall dimensions need to measure  $W = 93\pm 1/8"$  by  $L = 45\pm 1/8"$  (2362±3mm by 1143±3mm).
- The heights of B and C each need to measure between  $H = 2-1/2"$  (64mm) and  $3-15/16"$  (100mm).
- All Border Walls at a tournament need to be the same as each other.

### STEP 3

→ Place this Table top on short saw horses (or milk crates, or anything else short and solid).



## Mat placement

### STEP 1

→ Vacuum the Table top, then feel all over it for bumps. Sand or file them away, then vacuum again, thoroughly.

### STEP 2

→ On the vacuumed Table only, unroll the Mat so its north edge is near the north Border Wall. Be very careful to never let the Mat kink from bending in two directions at once.

### STEP 3

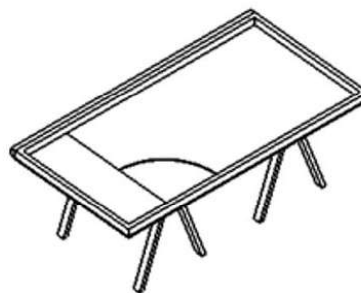
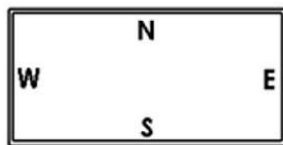
→ Slide the Mat so it meets up against the south and east Border Walls.

### STEP 4

→ OPTIONAL - To hold the Mat in place, you can use a thin strip of black tape at the east end only. Stick the tape to the east Border Wall and the Mat's thin black border only.

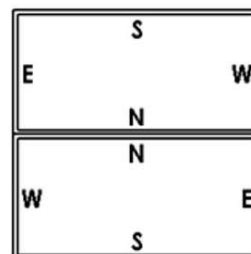
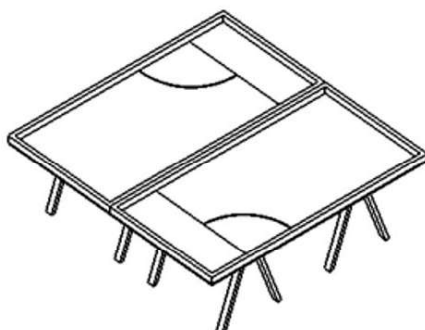
### STEP 5

→ For a competition setup, secure two Tables with their north Border walls touching. No Substitute Walls are needed. The total span of Border between two Tables needs to measure between 3" (76mm) and 3-15/16" (100mm).



---

### Practice



---

### Competition